

# POWERFREE CUBE 2.0

Residential Energy Storage System



### Easy Installation

With Easy Transportation



### Extend Anytime

Easily Adapts to New Requirements



### 11.26~409.6kWh

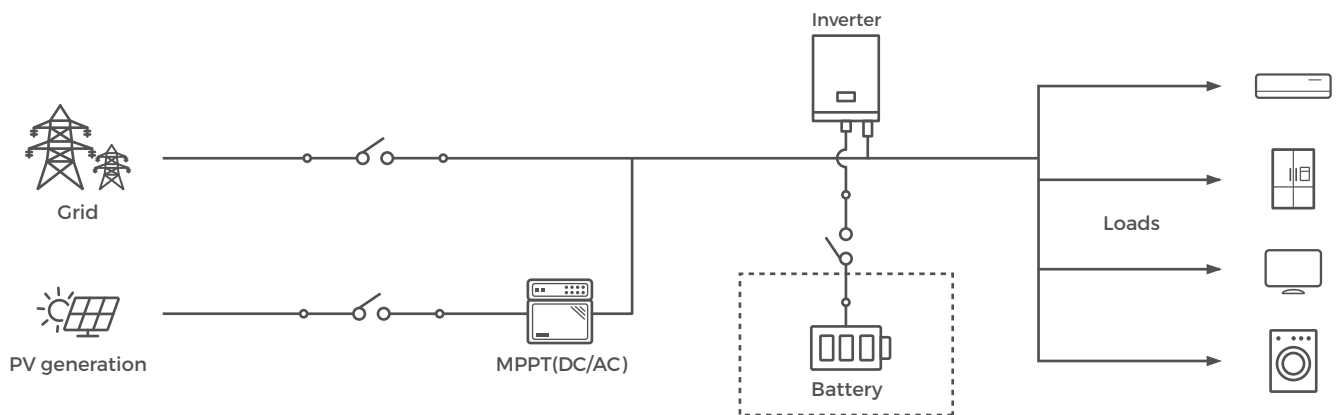
Tailored Sizing for each Applications



### High Power

Power for Every Application

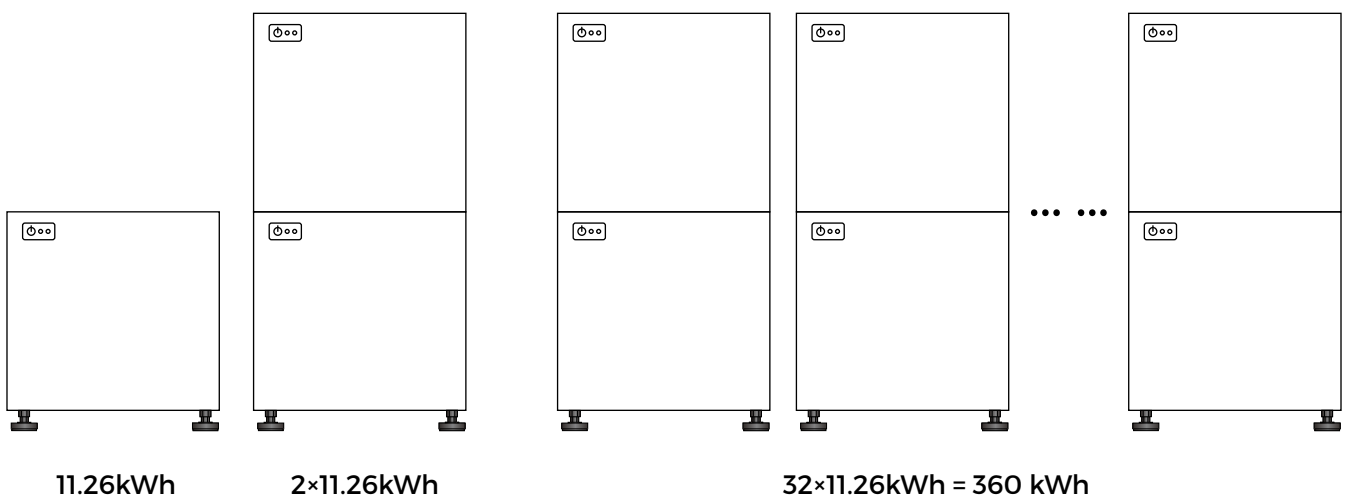
## Scope of Residential Energy Storage System



## POWERFREE CUBE 2.0

The Powerfree Cube 2.0 is a lithium iron phosphate (LFP) battery for use with an external inverter.

Thanks to its control and communication manage unit (BMU), the Powerfree Cube 2.0 scales to meet the project requirements, no matter it is residential application or C&I application. Start with Powerfree Cube 2.0-11.26kWh / 12.8kwh and scale up to 360kWh / 409.6kwh by using parallel connection of up to 32 Cube.



# Specification

## Electrical Characteristics

Model	Basic	Plus
Usable Energy	11.26 kWh	12.8 kWh
Battery Cell Type	BYD	
Battery Cell Technology	Lithium Iron Phosphate (cobalt-free)	
Number of Modules	2	
Max Cont. Output Current	110 A	
Peak Output Current	165 A, 5 s	
Nominal Voltage	51.2 V	
Operating Voltage	40-57.6 V	
Round-trip Efficiency	≥95%	
Communication	CAN / WiFi	
Scalability	Max. 32 in Parallel	
Advantages	Static design / Can be expanded into C&I energy storage system by DIY	

## General Parameter

Operating Temperature	-10 °C to +50 °C	
Enclosure Protection Rating	IP20 (Indoor use)	
Dimensions (H/W/D)	600 x 644 x 537 mm	
Weight	175 kg	
Certification	IEC62619 / CE / UN38.3	
Applications	ON Grid / ON Grid + Backup / OFF Grid	
Compatible Inverters	SMA / Victron / Goodwe / Growatt / Solis / Deye / Voltronic / Megarevo / SRNE	
Warranty	5 Years +	10 Years +

[1] DC Usable Energy, Test conditions: 100% DOD, 0.2C charge & discharge at + 25 °C. System usable energy may vary due to system configuration parameters.

[2] Charge derating will occur between -10 °C and +50 °C

[3] Conditions apply. Refer to Limited Warranty Letter.